



Partsbook
for
Rotatable shear
DRS-30-A

Product	Part Number	Ref.
DRS-30-A Serie 1	DRS030A354BAC5	



Partsbook_drs030a354bac5-c.docx

March 2014

Demarec Demolition and Recycling Equipment BV

Den Hoek 10, 5845 EL St. Anthonis, Netherlands

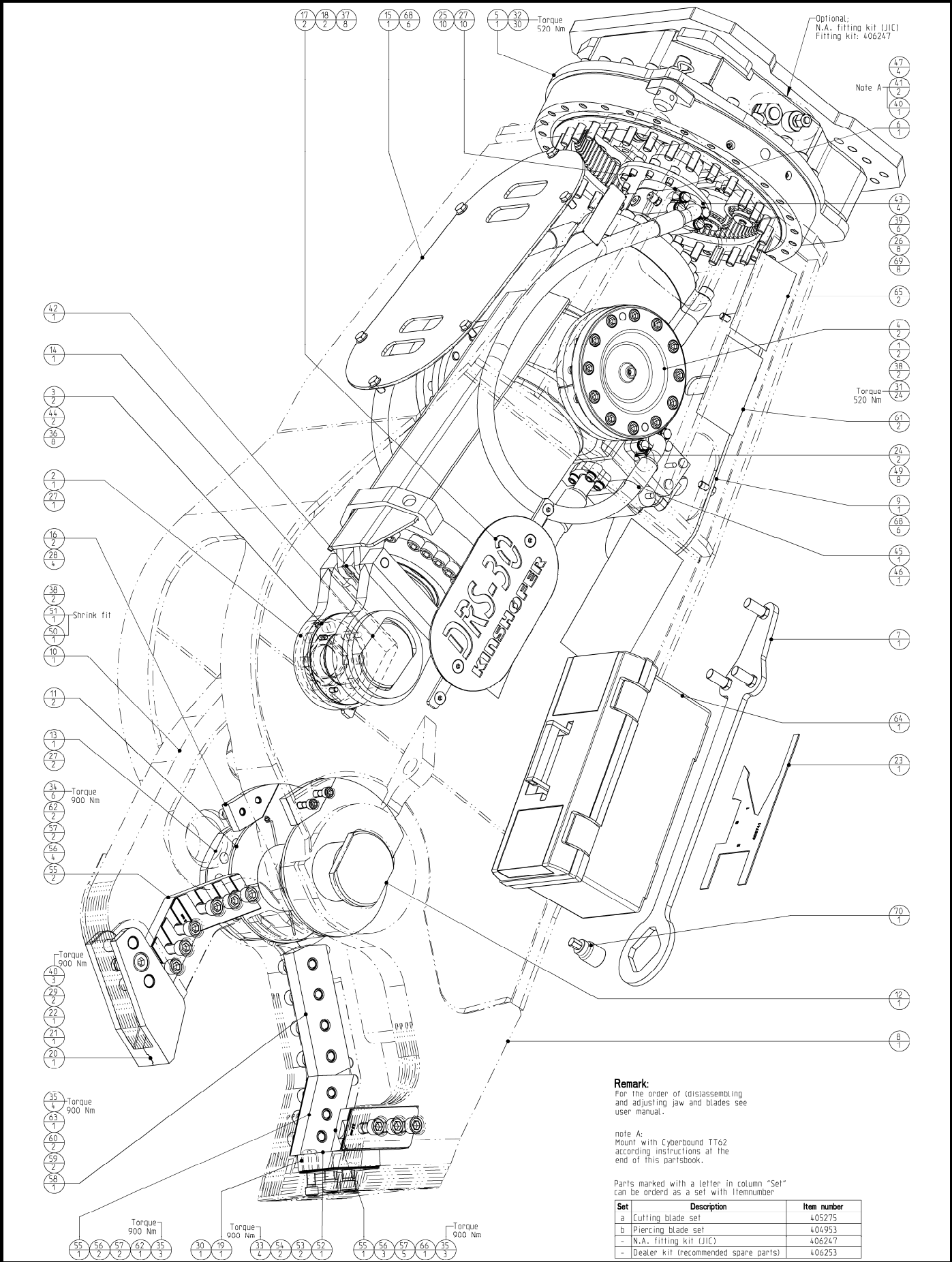
TEL.
FAX

+31 (0) 485 442300
+31 (0) 485 442120

INTERNET
E-MAIL

www.demarec.com
info@demarec.com

Rotatable Shear	Page	1	of	25
	Date	March 2014		
	Product type	DRS-30-A		
Housing GP	Number	DRS030A354BAC5-C		



Remark:
For the order of (dis)assembling and adjusting jaw and blades see user manual.

note A:
Mount with Cyberbound TT62 according instructions at the end of this partsbook.

Parts marked with a letter in column "Set" can be ordered as a set with Itemnumber

Set	Description	Item number
a	Cutting blade set	405275
b	Piercing blade set	404953
-	N.A. fitting kit (JIC)	406247
-	Dealer kit (recommended spare parts)	406253

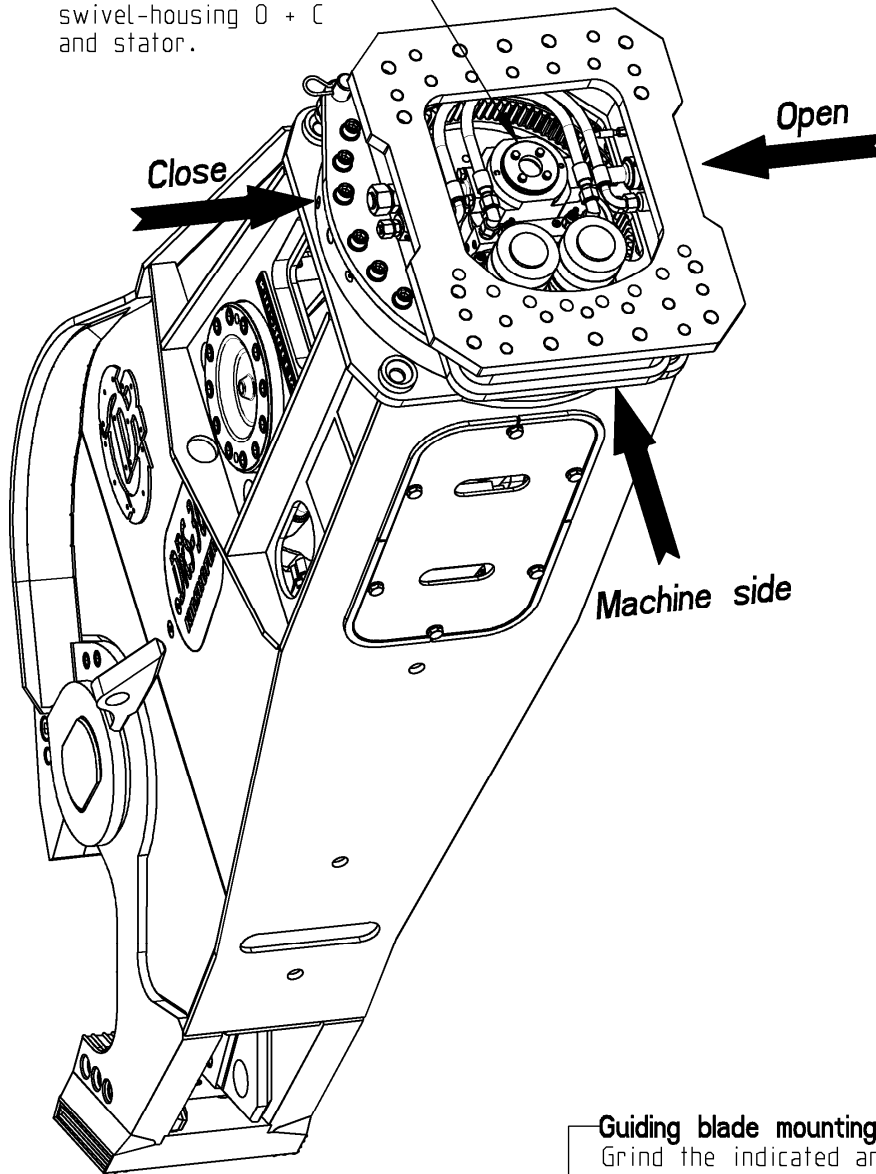
Rotatable Shear

Page	2	of	25
Date	March 2014		
Product type	DRS-30-A		
Number	DRS030A354BAC5-C		

Housing GP

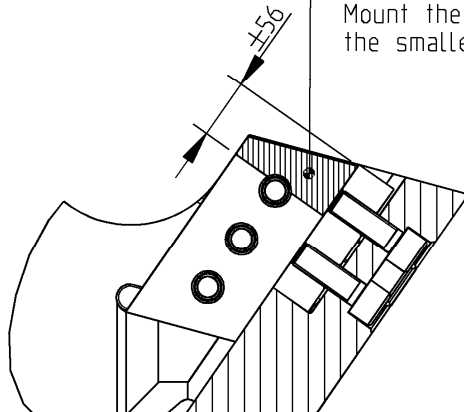
Caution;

Take care of position of swivel-housing O + C and stator.



Guiding blade mounting instruction!

Grind the indicated area of the guiding blade parallel to the piercingblade. Mount the guiding blade with shims with the smallest possible space to the piercingblade.



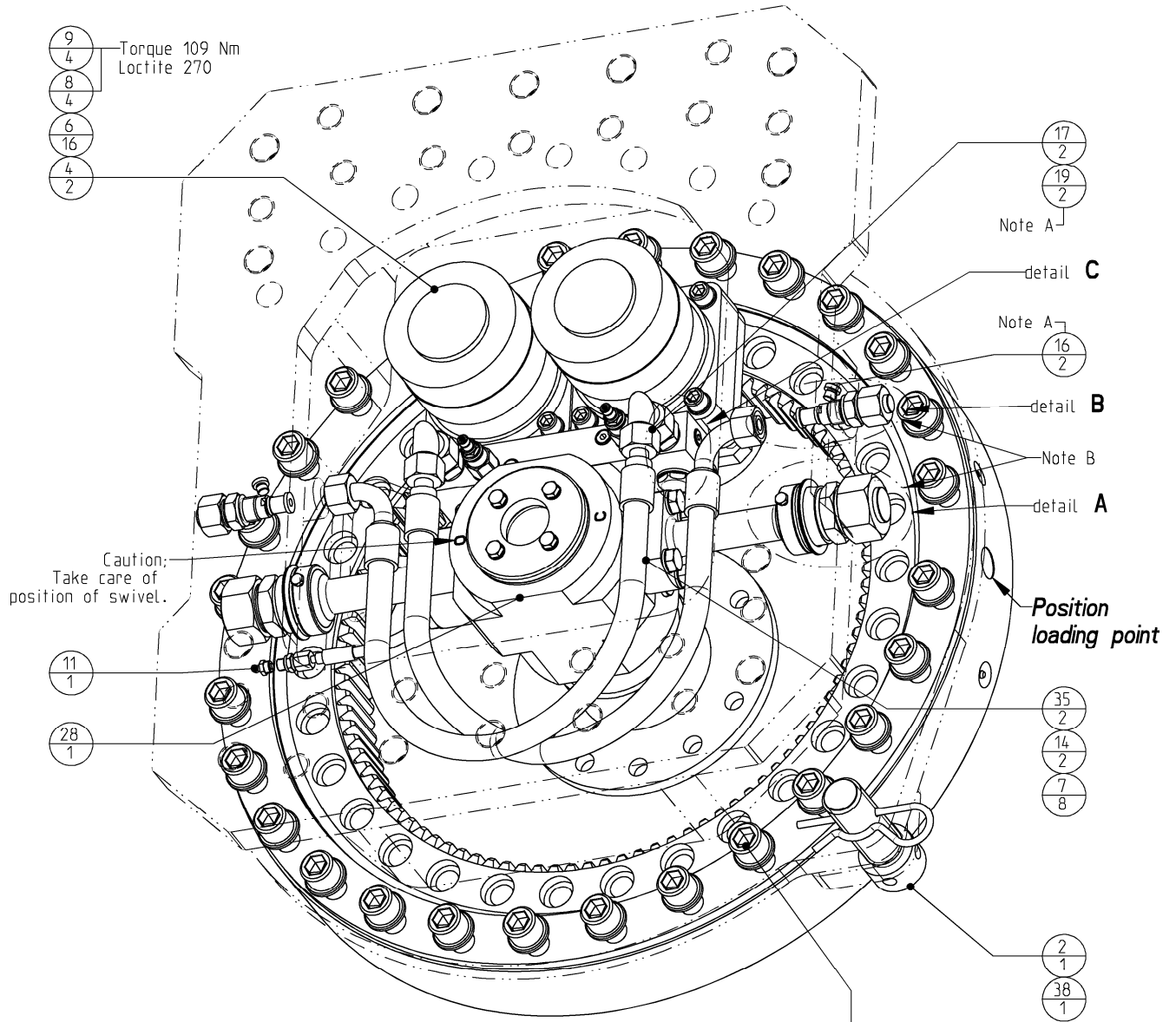
Rotatable Shear	Page	3	of	25
	Date	March 2014		
	Product type	DRS-30-A		
Housing GP	Number	DRS030A354BAC5-C		

					Set	POS	PARTNUMBER	PARTNAME	QT
						40	500652	Blanking end	1
						39	500603	Seal - flange	6
						38	500560	Grease - nipple	4
						37	500358	Flat countersunk head cap screws	8
						36	500347	Flat countersunk head cap screws	8
					a	35	500285	Hex. socket head cap screw	10
					a	34	500284	Hex. socket head cap screw	6
					a	33	500283	Hex. socket head cap screw	4
						32	500278	Hex. socket head cap screw	30
						31	500276	Hex. socket head cap screw	24
						30	500270	Hex. socket head cap screw	1
	69	192072798	Screwdriver bit socket	1	b	29	500265	Hex. socket head cap screw	2
	68	122000163	Washer normal	8		28	500263	Hex. socket head cap screw	4
	67	120015514	Bolts Hexagon - self locking	12		27	500258	Hex. socket head cap screw	13
a	66	508155	Shim - diamond	1		26	500205	Bolts Hexagon	8
	65	508152	Sticker	2		25	500054	Washer HV	10
	64	508136	Toolbox GP	1		24	406073	Flange - intermed. SAE 1 1/4"	2
a	63	508132	Shim - straight	1		23	405741	Fixture DRS-30/45	1
a	62	508127	Shim - diamond	3	b	22	405278	Lockpin	1
	61	508113	Sticker	2	b	21	405277	Piercingblade (V2) RH	1
a	60	508110	Shim - straight	2	b	20	405276	Piercingblade (V2) LH	1
a	59	508109	Shim - straight	2		19	405254	Lock	1
a	58	508108	Shear - blade trapezium	1		18	405253	Lockbar - cover	2
a	57	508107	Shim - diamond	9		17	405250	Cover asm.	2
a	56	508106	Shim - diamond	9		16	405249	Lockplate	2
a	55	508105	Shear - blade diamond	4		15	405247	Cover	1
a	54	508097	Shim - straight	2		14	405245	Pin	1
a	53	508096	Shim - straight	2		13	405244	Locknut	1
a	52	508095	Shear - blade straight	1		12	405243	Pin	1
	51	507011	Bushing	1		11	405242	Spacer	2
	50	507010	Bushing	1		10	405235	Jaw asm. machined	1
	49	506050	Bolts Hexagon	8		9	405232	Cover	1
b	48	506023	Shoulder bolt	3		8	405201	Housing machined	1
	47	506021	Hex. socket head cap screw	4		7	404982	Key GP	1
	46	505145_RM405200-2	Hydr. hose asm. 1" SAE 100R15	1		6	404909	Swivel - flange	1
	45	505145_RM405200-1	Hydr. hose asm. 1" SAE 100R15	1		5	404726	Rotatorhead GP	1
	44	504020	Scraper	2		4	402918	Bearing housing	2
	43	503504	SAE split-flange	4		3	401725	Spacer	2
	42	502920_DRS	Hydraulic Cylinder & Valve GP	1		2	401313	Locknut	1
	41	500740	Test-point	2		1	400722	Ring	2

Rotatable Shear

Page	4	of	25
Date	March 2014		
Product type	DRS-30-A		
Number	404726-00		

Rotatorhead GP

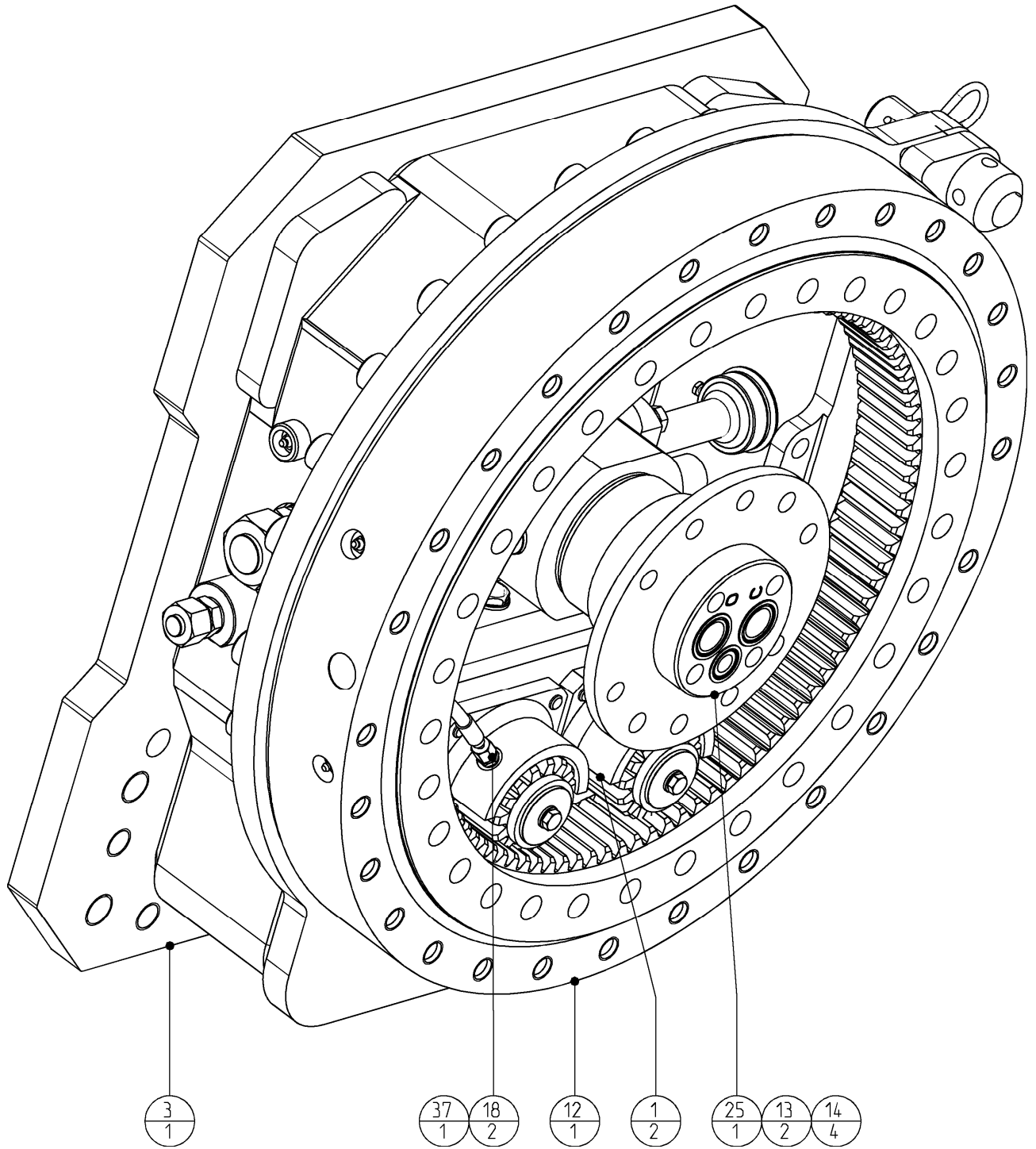


note A
Mount with Cyberbound TT62 according instructions at the end of this partsbook.

note B
Optional N.A. fitting kit (JIC).
Part number set: 406247

Rotatable Shear

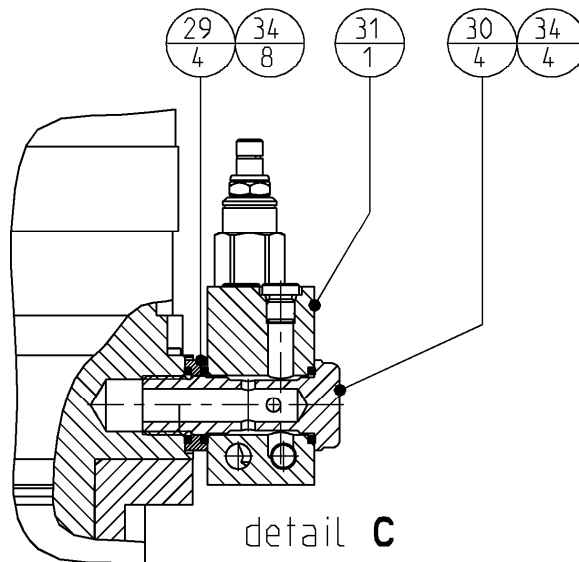
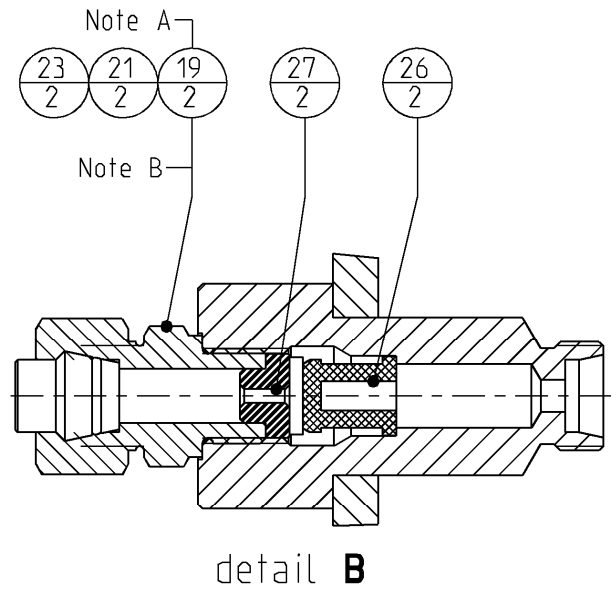
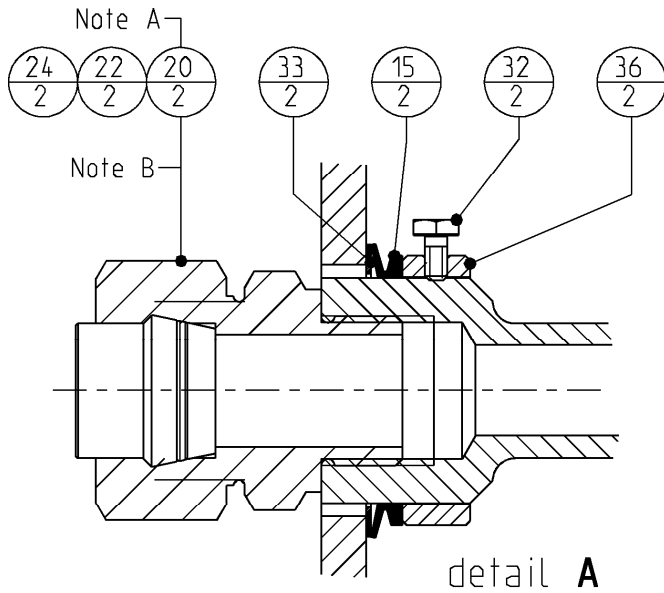
Page	5	of	25
Date	March 2014		
Product type	DRS-30-A		
Rotatorhead GP	Number	404726-00	



Rotatable Shear

Page	6	of	25
Date	March 2014		
Product type	DRS-30-A		
Number	404726-00		

Rotatorhead GP



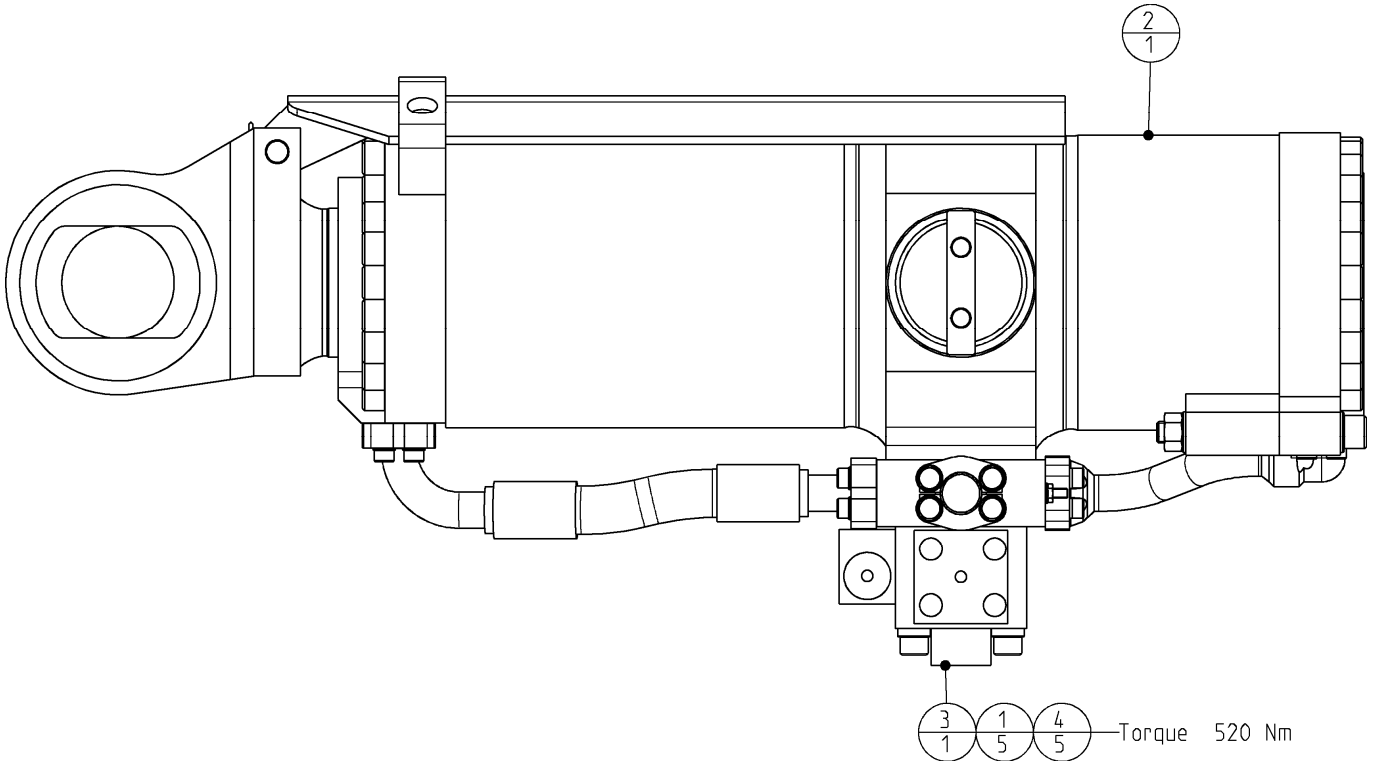
Rotatable Shear	<i>Page</i>	7	of	25
	<i>Date</i>	March 2014		
	<i>Product type</i>	DRS-30-A		
Rotatorhead GP	<i>Number</i>	404726-00		

--	--

POS	PARTNUMBER	REV	PARTNAME	QT
25	501074	00	Swivel - Flange Intermed.	1
24	500948	00	Blanking plug	2
23	500945	00	Blanking plug	2
22	500943	00	Nut coupling	2
21	500940	00	Nut coupling	2
20	500698	01	Male stud coupling	2
19	500693	01	Male stud coupling	4
18	500690	00	Male stud coupling	2
17	500673	01	Adjustable male stud elbow	2
16	500649	01	Blanking end	2
15	500621	00	Seal	2
14	500601	02	Seal - flange	6
13	500600	02	Seal - flange	2
12	500591	01	Slewing Ring; Internal Gear	1
11	500560	00	Grease - nipple	1
10	500302	00	Hex. socket head cap screw	28
9	500255	00	Hex. socket head cap screw	4
8	500253	00	Hex. socket head cap screw	4
7	500135	00	Bolts Hexagon	8
6	500068	00	Washer spring	16
5	500055	00	Washer HV	28
4	404727	02	Motor GP	2
3	404605	00	Rotatorhead asm. machined	1
2	400066	03	Lock - pin	1
1	400063	02	Cap - Pinion	2
40	500840_RM404726-2	02	Hydr. hose asm. 1/2" SAE 100 R2AT	1
39	500840_RM404726-1	02	Hydr. hose asm. 1/2" SAE 100 R2AT	1
38	500504-3	00	Locking pin (hair-pin)	1
37	296012429_VG01	A	Hydr. hose asm. 3/16" SAE 100R1AT	1
36	773057512	A	Ring - adjusting	2
35	773056990	A	Hydraulic flange - pipe	2
34	257066194	A	Kantseal	12
33	122010270	A	Ring - shim	2
32	120014016	00	Bolts Hexagon	2
31	502910	02	Valve GP	1
30	502907	00	Banjo bolt	4
29	502903	01	Spacer	4
28	502286	05	Swivel GP	1
27	502001	03	Drossel - ring	2
26	502000	00	Filter	2

--	--

Rotatable Shear	<i>Page</i>	8	of	25
	<i>Date</i>	March 2014		
	<i>Product type</i>	DRS-30-A		
Cylinder & Valve GP	<i>Number</i>	502950-05		

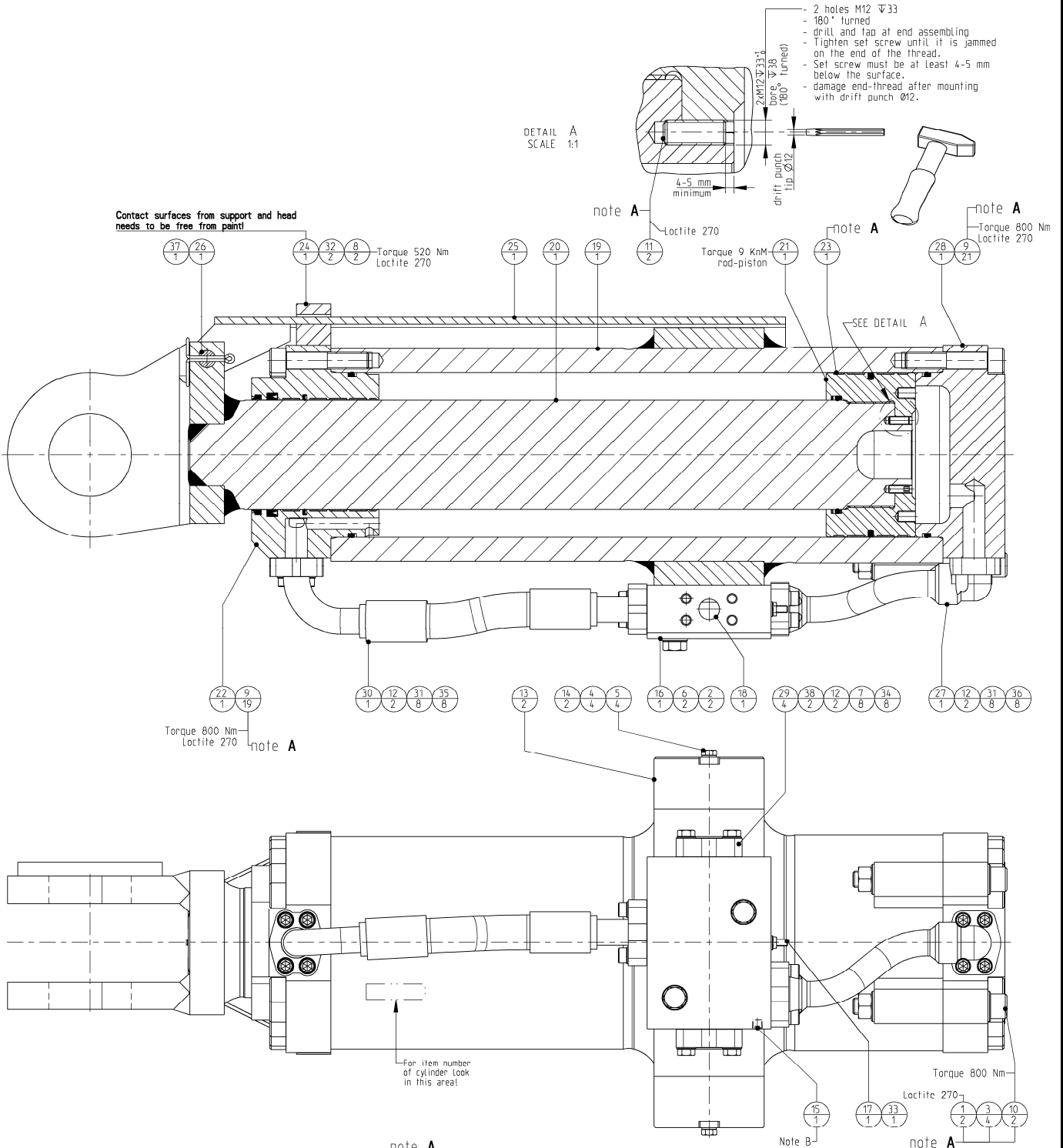


4	120065238	Hex. socket head cap screw	5
3	502962	Speedvalve	1
2	502921	Hydraulic Cylinder GP	1
1	502862	Spacer	5
POS	PARTNUMBER	PARTNAME	QT

Rotatable Shear

Page	9	of	25
Date	March 2014		
Product type	DRS-30-A		
Number	502921-05		

Cylinder GP



note A
When seals inside the cylinder must be exchanged it is important to exchange also the bolts from bottom and head! Seals, bolts and Loctite can be ordered as one set, see below.

Note B
Mount with Cyberbound TT62 according instructions at the end of this partsbook.

Parts marked with a letter in column "Set" can be ordered as a set with Itemnumber

Set	Service set	Itemnumber
a	Seal and bolt set	501256

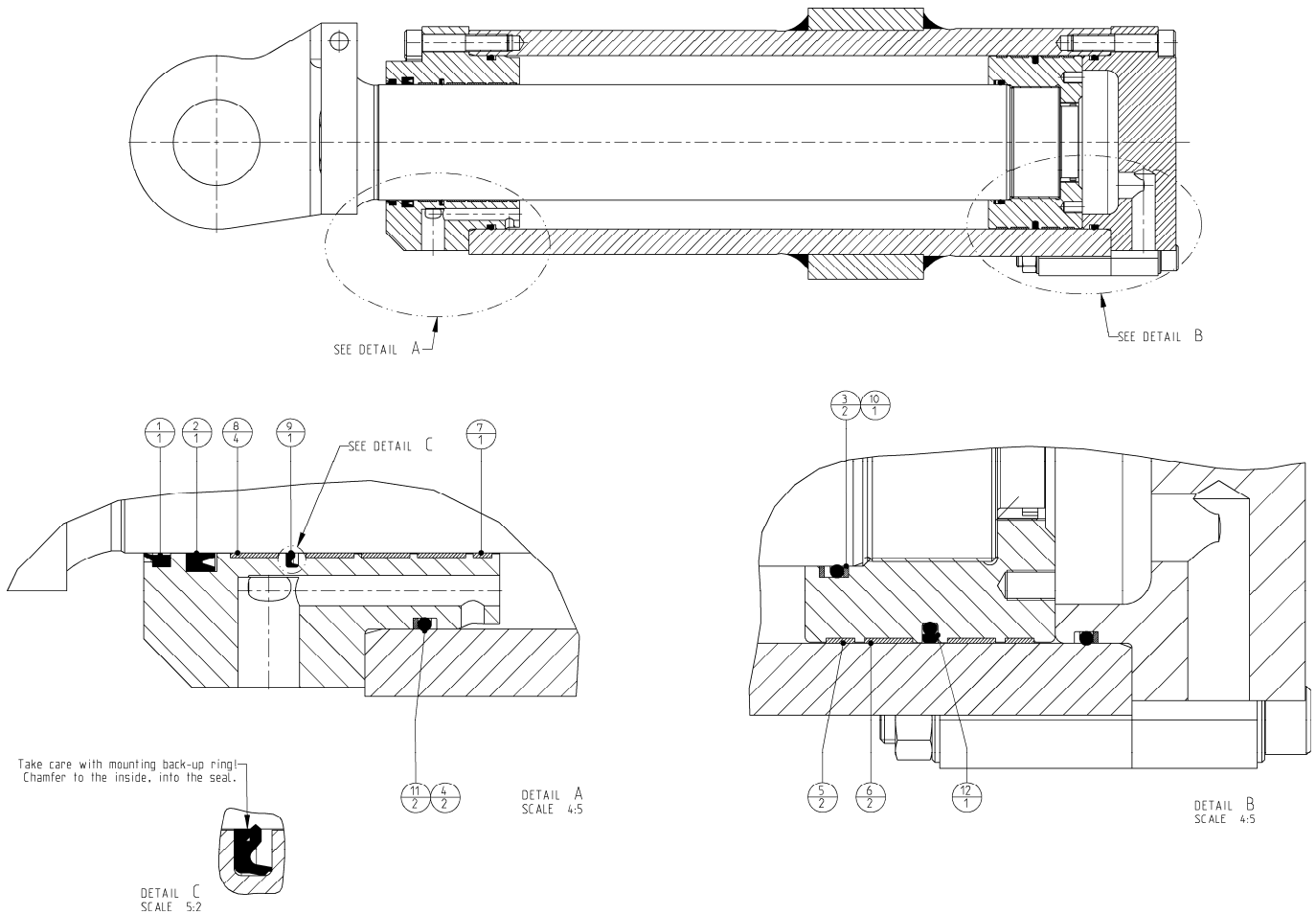
Rotatable Shear	<i>Page</i>	10	of	25
	<i>Date</i>	March 2014		
	<i>Product type</i>	DRS-30-A		
Cylinder GP	<i>Number</i>	502921-05		

	38	291065241	SAE stop	2
	37	125050846_VG50	Cotter pin	1
	36	123000042	Washer spring	8
	35	122012249	Washer hex.sckt head	8
	34	122000163	Washer normal	8
	33	121060762	Nut Hexagon sealing	1
	32	506034	Lockwasher - Schnorr	2
	31	506005	Hex. socket head cap screw	16
	30	505119_RM502920	Hydr. hose asm. 1 1/4" SAE 100R15	1
	29	503504	SAE split-flange	4
	28	502945	Bottom asm.	1
	27	502941	Hydr. tube asm.	1
	26	502937	Lockpin	1
	25	502935	Protection cap asm.	1
	24	502934	Support - protection cap	1
a	23	502933_RM502920	Seal-set	1
	22	502932	Cylinder - head	1
	21	502931	Piston	1
	20	502926	Rod asm.	1
	19	502922	Cylinder - house asm.	1
	18	502816	Baseplate	1
	17	502562	Bleeding screw	1
	16	502260	Blanking cover	1
	15	502124	Hex.socket plug-lapped	1
	14	501016	Lockplate	2
	13	501015	Bearing	2
	12	500603	Seal - flange	6
	11	500426	Hex. socket set screw	2
a	10	500291	Hex. socket head cap screw	2
a	9	500287	Hex. socket head cap screw	40
	8	500272	Hex. socket head cap screw	2
	7	500205	Bolts Hexagon	8
	6	500165	Bolts Hexagon	2
	5	500133	Bolts Hexagon	4
	4	500068	Washer spring	4
a	3	500056	Washer HV	4
	2	500055	Washer HV	2
a	1	500007	Nut Hexagon	2
Set	POS	PARTNUMBER	PARTNAME	QT

Rotatable Shear

Page	11	of	25
Date	March 2014		
Product type	DRS-30-A		
Number	502933-00		

Sealset

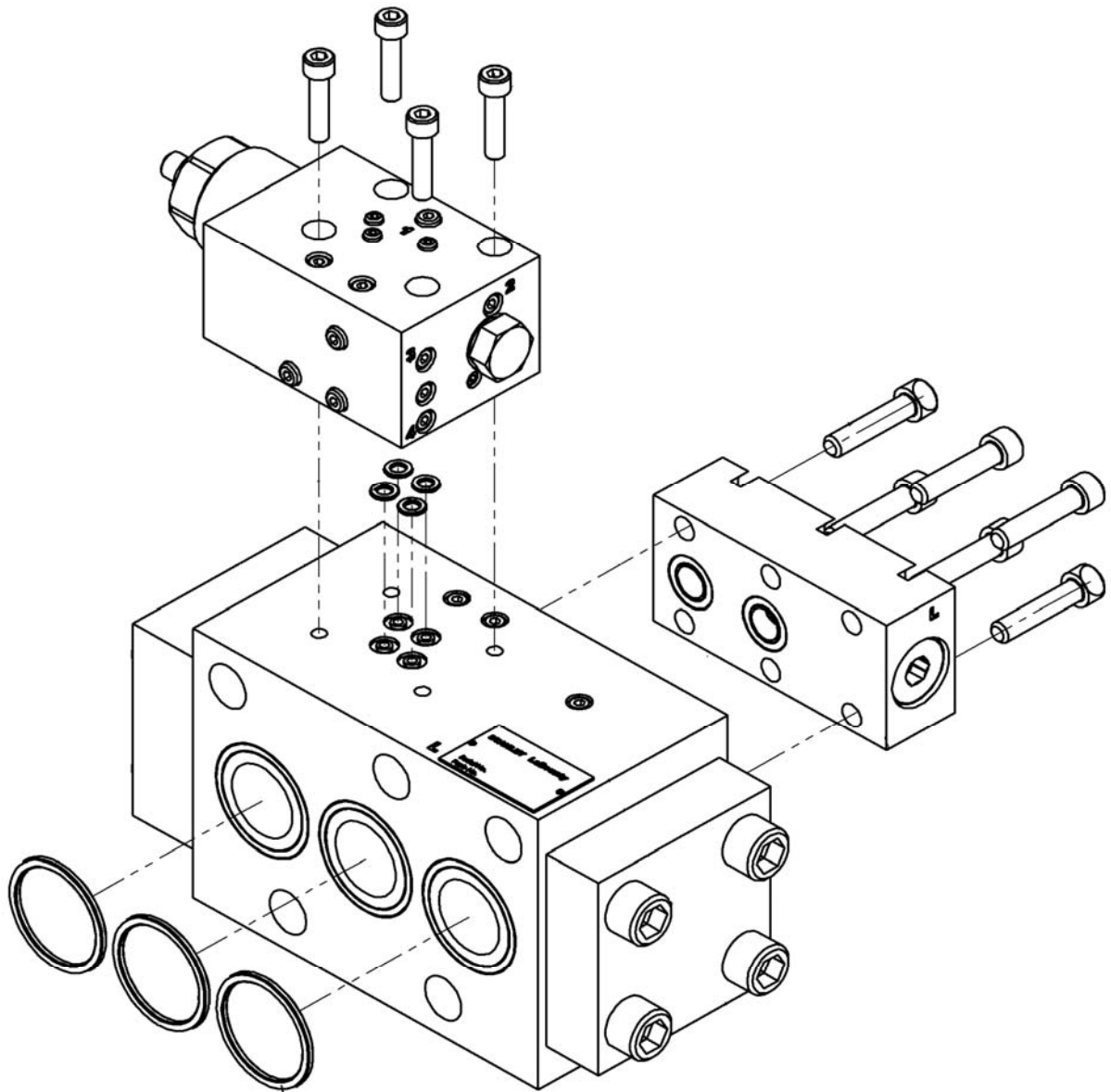


12	PT0402400	Turcon Glydring T	1
11	ORAR00447	O-ring	2
10	ORAR00438	O-ring	1
9	IBF160	Rod seal GP	1
8	GR7501600	Bearing Luytex	4
7	GR6901600	Bearing Turcite	1
6	GP7502400	Bearing Luytex	2
5	GP7302400	Bearing Turcite	2
4	BU5802400	Back-up ring	2
3	BU5801600	Back-up ring	2
2	B3G080P6000	U-Cup	1
1	504061	Scraper	1
POS	PARTNUMBER	PARTNAME	QT

Rotatable Shear

<i>Page</i>	12	<i>of</i>	25
<i>Date</i>	March 2014		
<i>Product type</i>	DRS-30-A		
<i>Number</i>	502962-00		

Valve GP

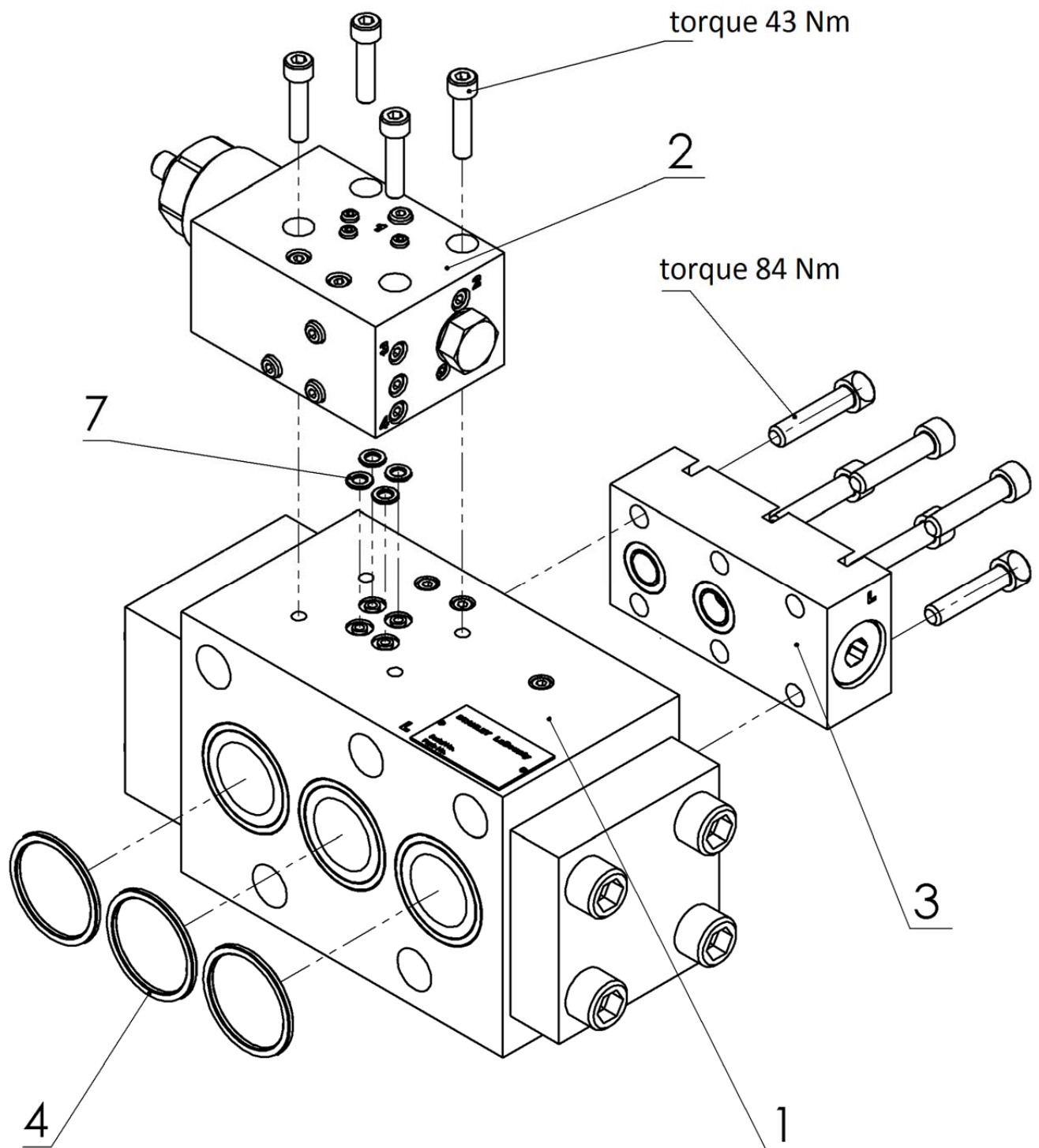


Sealset 502963
(for complete valve)

Rotatable Shear

Page	13	of	25
Date	March 2014		
Product type	DRS-30-A		
Number	502963-00		

Sealset

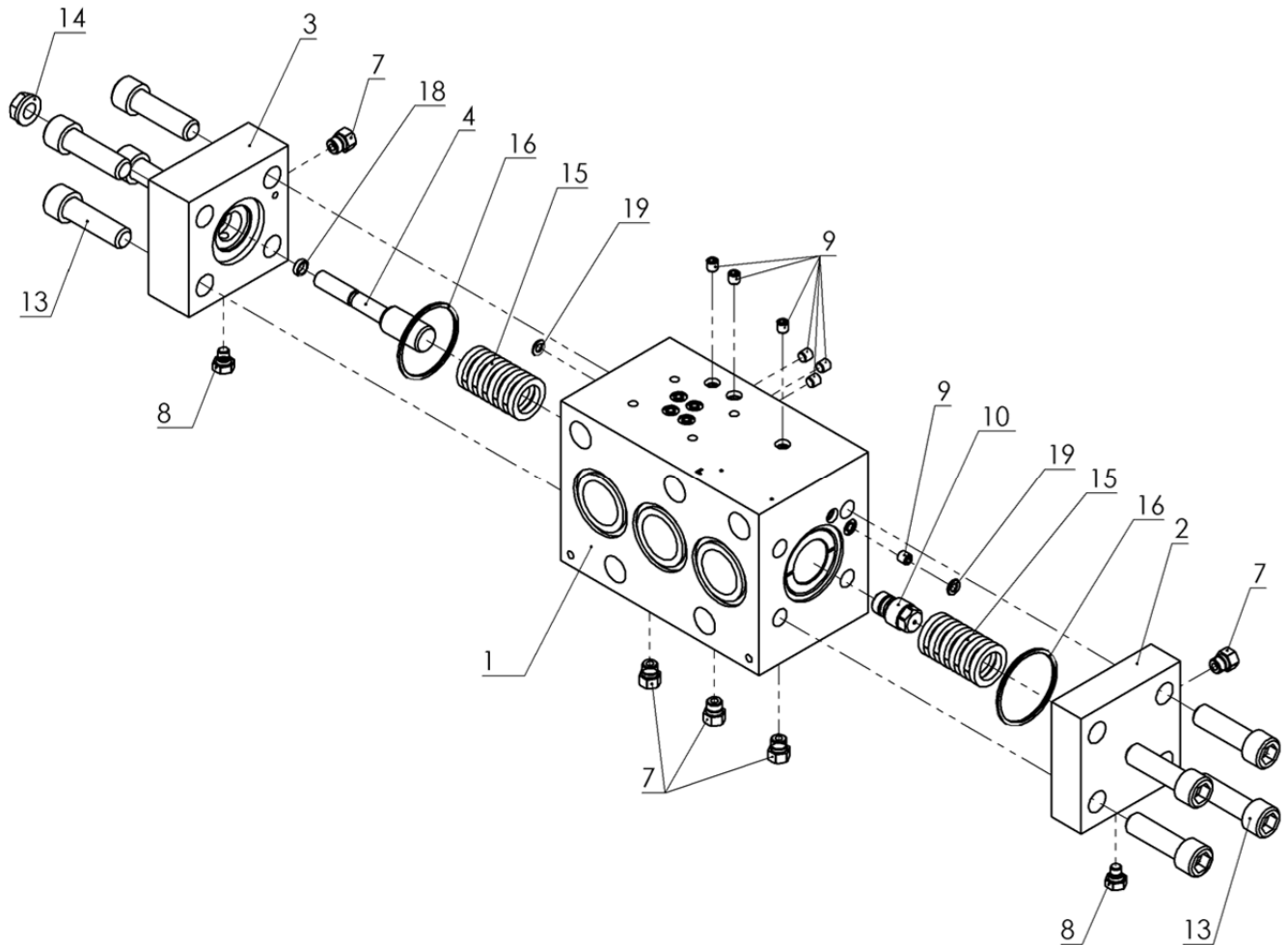


Sealset 502963			
7	270.308.650.6	O-ring	4
4	271.947.650.6	O-ring	3
3	279.954.602.7	Sealset	1
2	279.953.602.7	Sealset	1
1	279.951.602.7	Sealset	1
POS	PARTNUMBER	PARTNAME	QT

Rotatable Shear

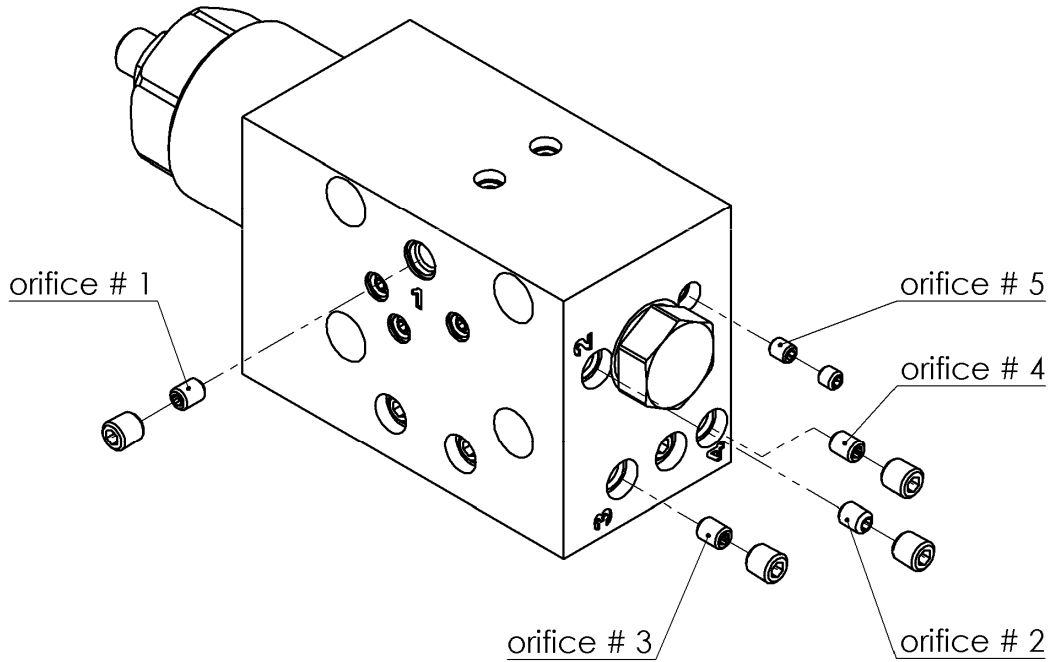
Page	14	of	25
Date	March 2014		
Product type	DRS-30-A		
Number	502963-00		

Sealset

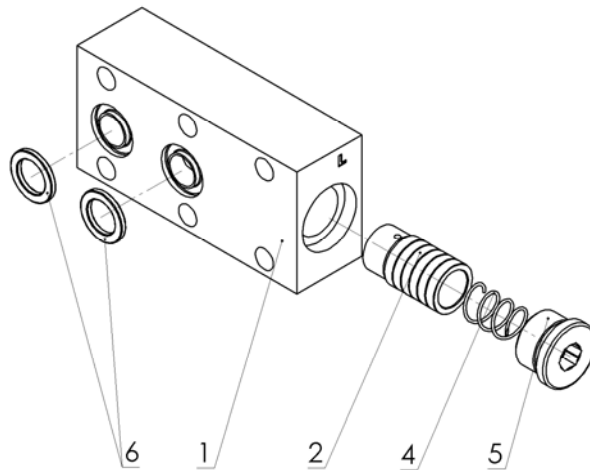


Sealset 279.951.602.7			
4	138.325.001.2	Stop	1
8	000.502.013.2	Blanking end	2
9	000.502.016.1	Blanking end	7
10	420.000.002.8	Sealset	1
14	138.012.000.6	Nut hexagon sealing	1
16	271.754.650.6	O-ring	2
19	270.308.650.6	O-ring	2
POS	PARTNUMBER	PARTNAME	QT

Rotatable Shear	Page	15	of	25
	Date	March 2014		
	Product type	DRS-30-A		
Sealset	Number	502963-00		

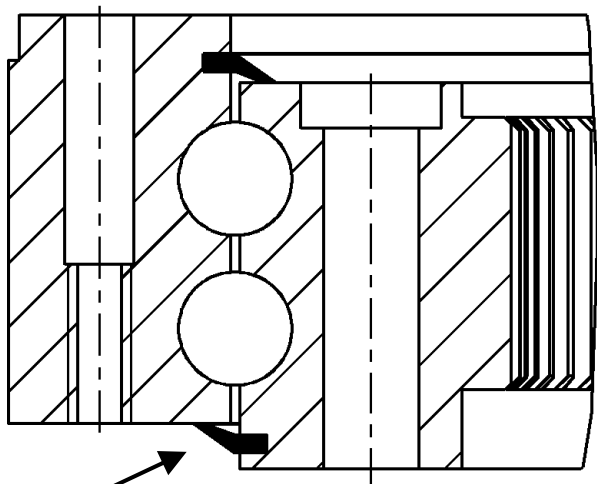
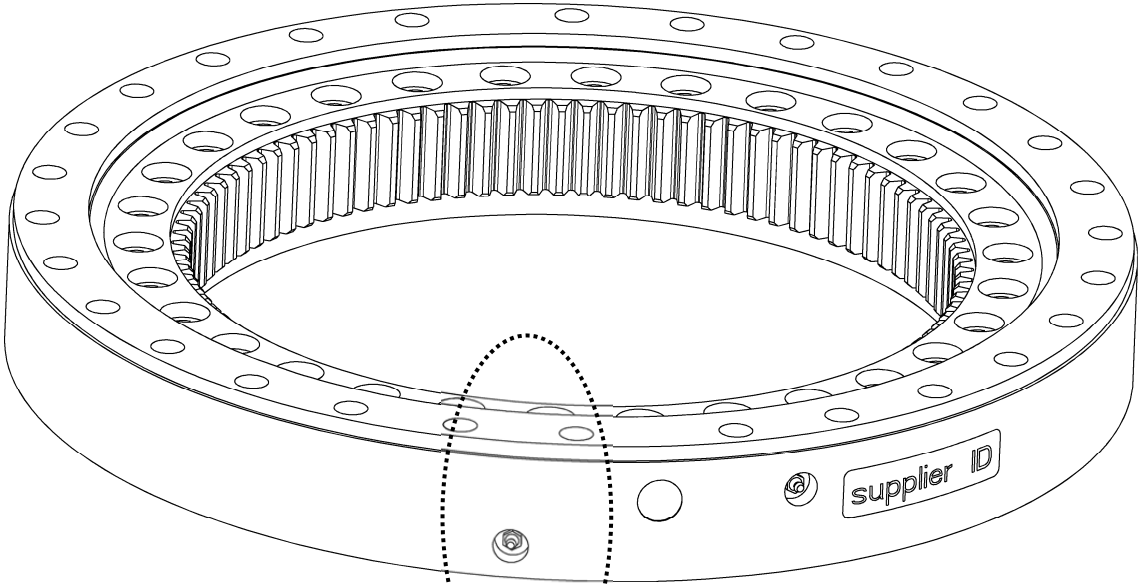


Sealset 279.953.602.7			
3	000.221.008.2	Hex. socket set screw	1
11	000.502.035.1	Blanking end	8
12	000.502.016.1	Blanking end	10
21	271.918.650.6	O-ring	1
22	272.536.650.6	O-ring	1
24	138.012.000.6	Nut hexagon sealing	1
25	275.508.650.6	Quadring	1
26	275.414.650.6	Back-up ring	1
31	255.013.006.6	Blanking end	1
POS	PARTNUMBER	PARTNAME	QT



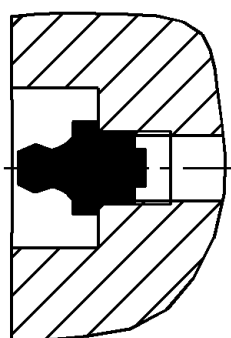
Sealset 279.954.602.7			
5	255.032.006.6	Blanking end	1
6	271.919.650.6	O-ring	2
POS	PARTNUMBER	PARTNAME	QT

Rotatable Shear	Page	16	of	25
	Date	March 2014		
	Product type	DRS-30-A		
Slewing ring	Number	500591-01		

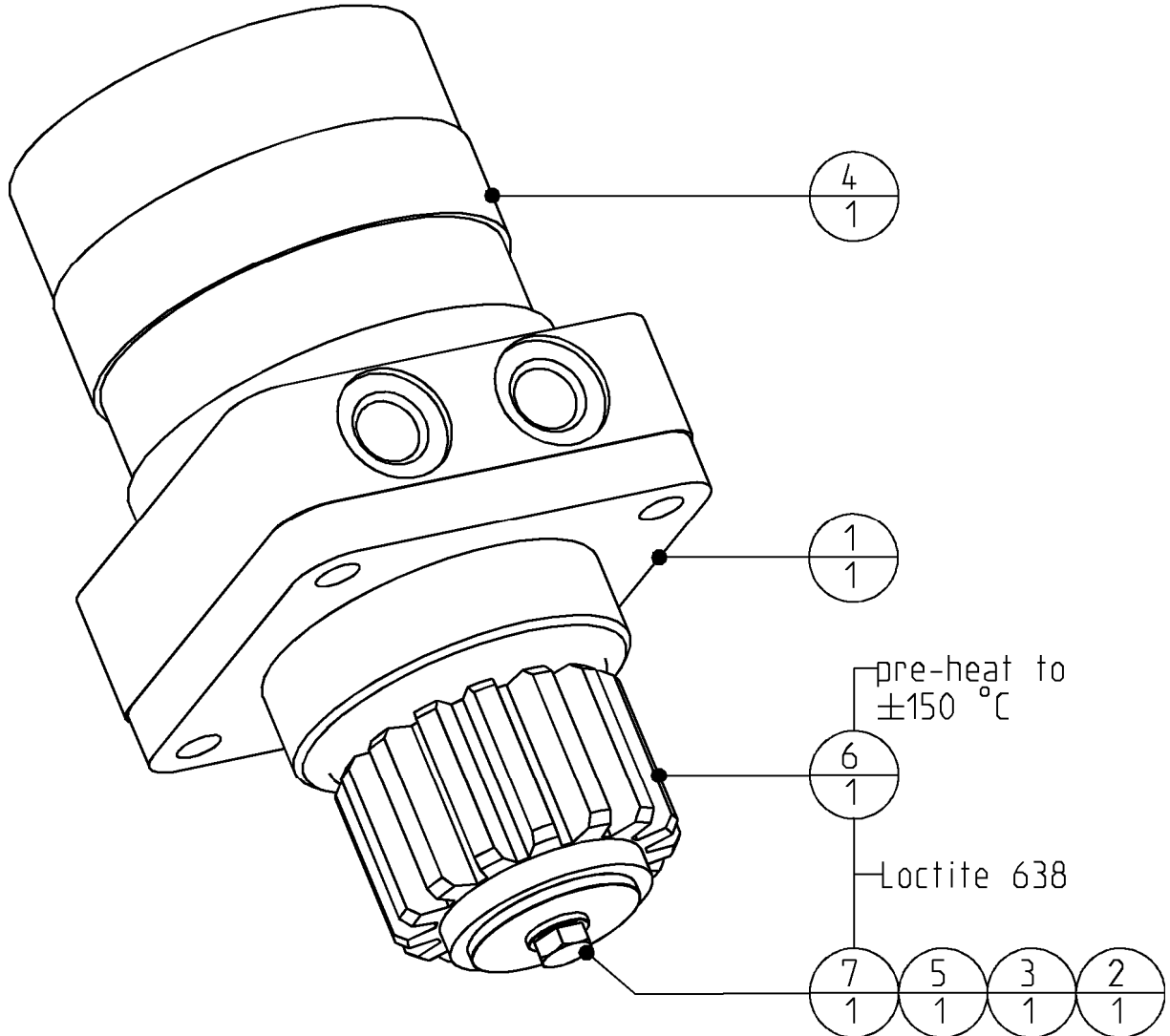


**2x seal 256060900
mount with Loctite 480**

**4x grease nipple
500560**

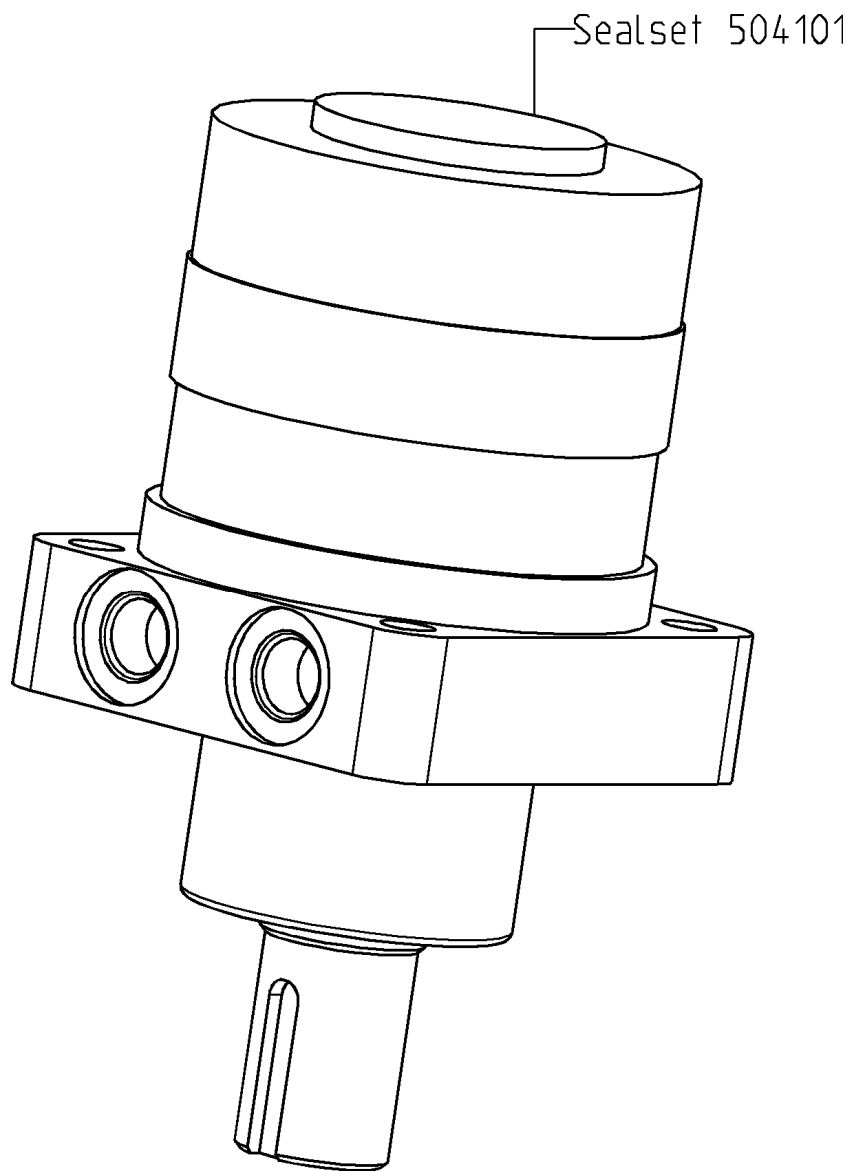


Rotatable Shear	Page	17	of	25
	Date	March 2014		
	Product type	DRS-30-A		
Hydraulic motor GP	Number	404727-02		



7	120050416	Bolts Hexagon	1
6	508079	Pinion	1
5	506044	Key - parallel	1
4	501090	Hydraulic motor	1
3	500067	Washer spring	1
2	404729	Washer	1
1	404728	Motorflange	1
POS	PARTNUMBER	PARTNAME	QT

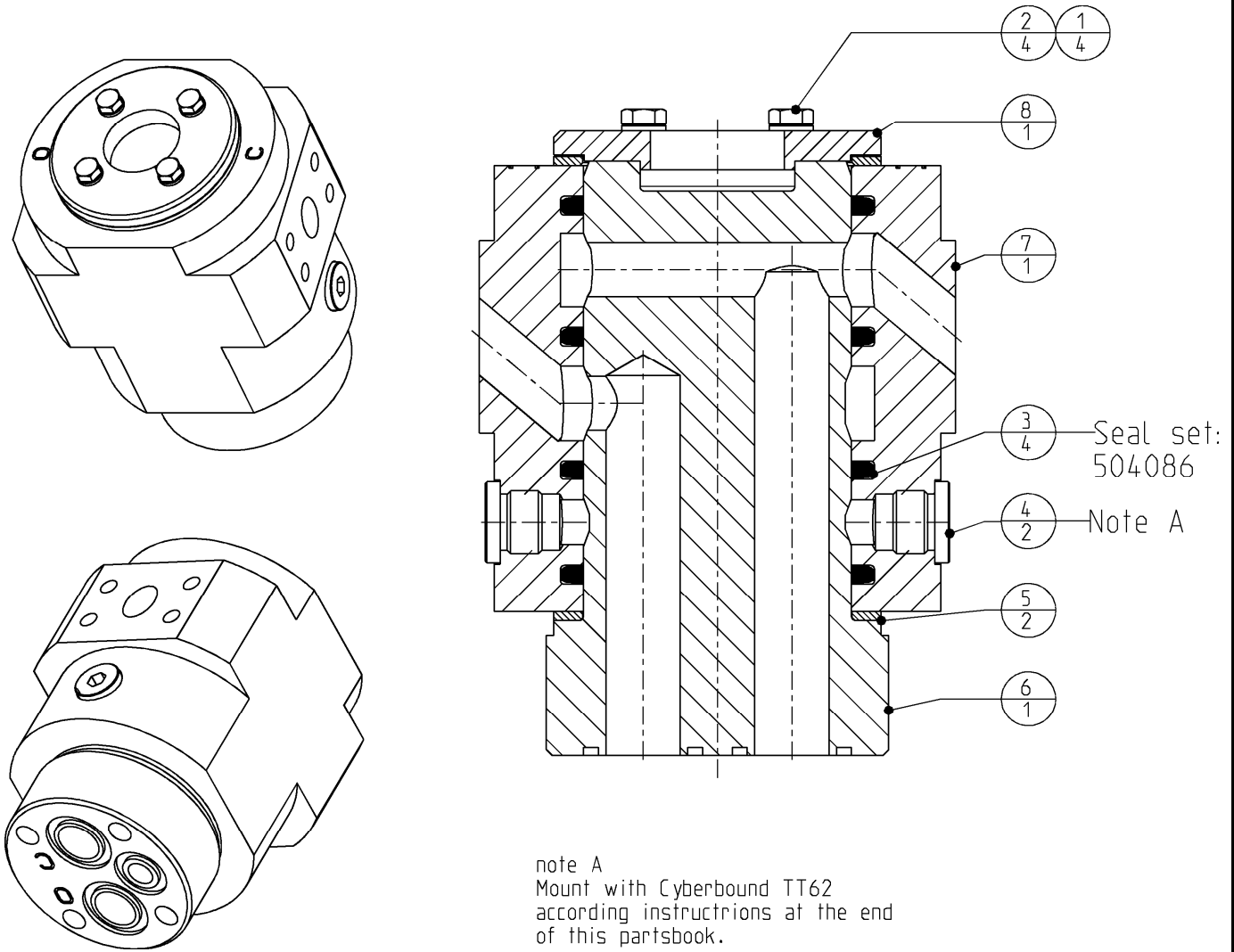
Rotatable Shear	Page	18	of	25
	Date	March 2014		
	Product type	DRS-30-A		
Hydraulic motor	Number	501090-00		



Rotatable Shear

Page	19	of	25
Date	March 2014		
Product type	DRS-30-A		
Number	502286-05		

Swivel GP

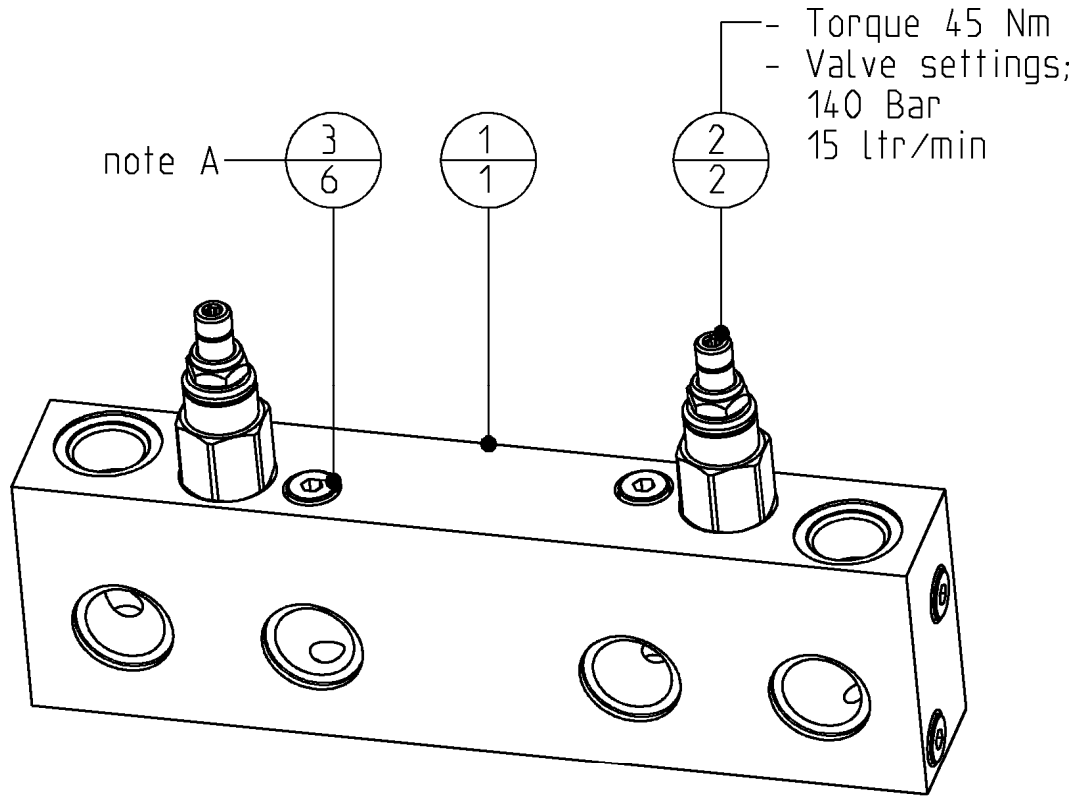


8	502289	Cover	1
7	502288	Housing	1
6	502287	Stator	1
5	500832	Axial ring	2
4	500652	Blanking end	2
3	500630	Seal - Roto Glyd Ring	4
2	500105	Bolts Hexagon	4
1	500066	Washer spring	4
POS	PARTNUMBER	PARTNAME	QT

Rotatable Shear

Page	20	of	25
Date	March 2014		
Product type	DRS-30-A		
Number	502910-02		

Valve GP

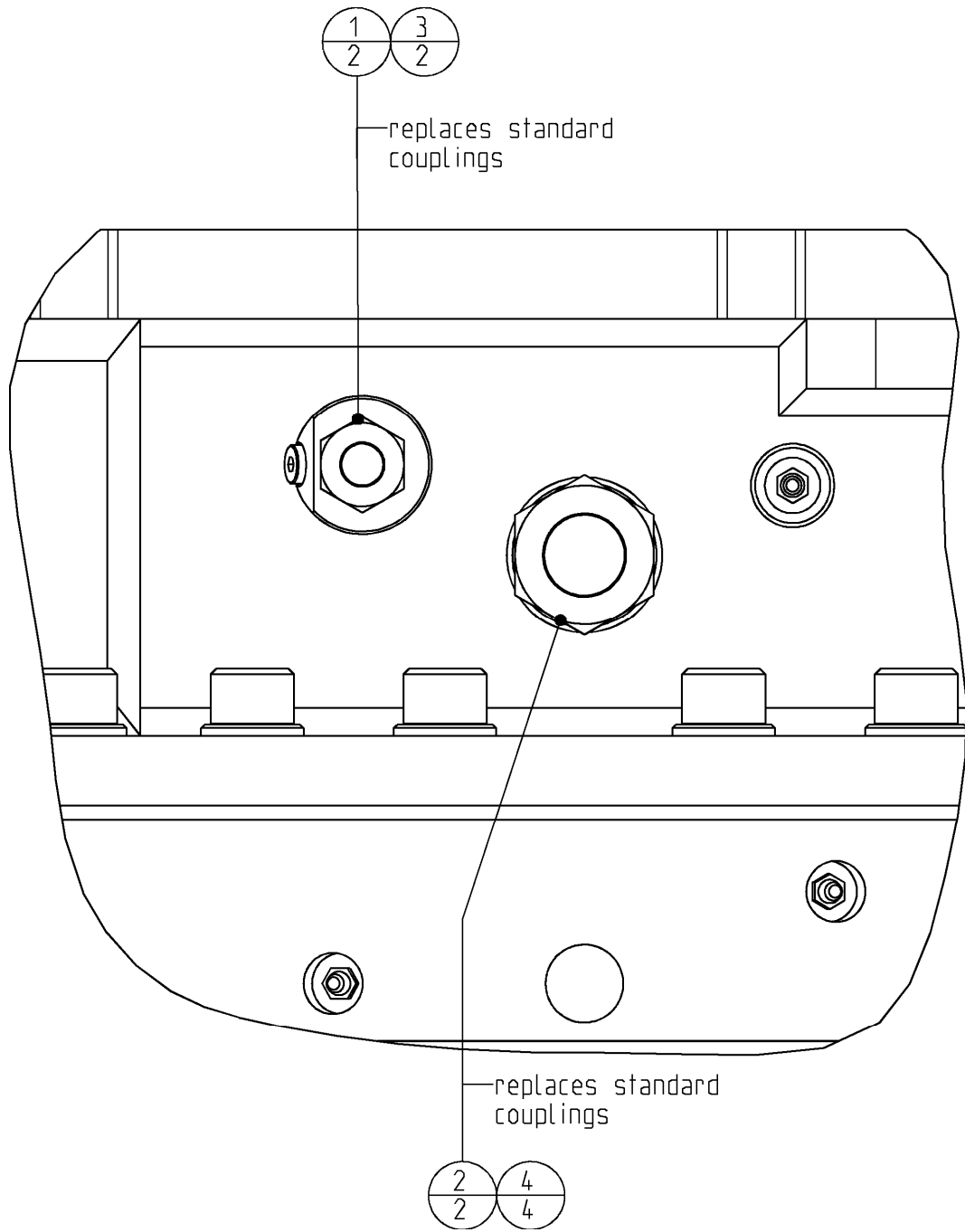


Note A
 Mount with Cyberbound TT62
 according instructions at the end
 of this partsbook.

3	290066544	Blanking end ISO 6149	6
2	271060533	Cartridge relief	2
1	502911	Baseplate	1
POS	PARTNUMBER	PARTNAME	QT

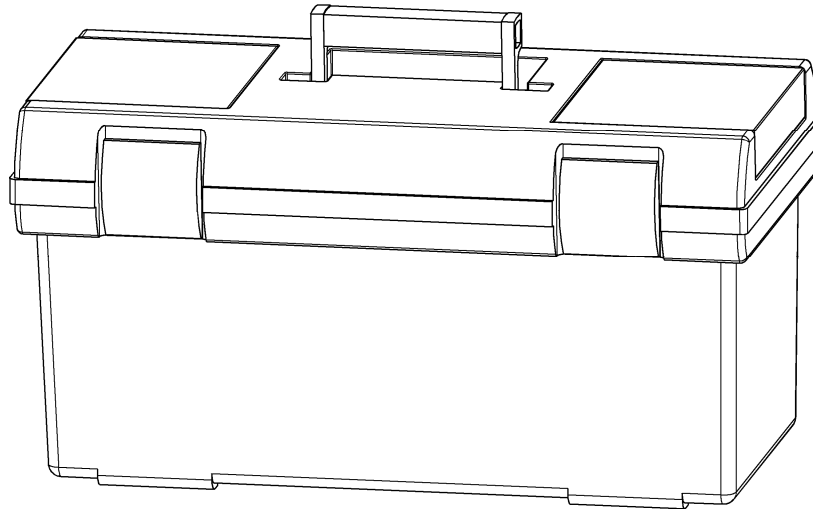
Rotatable Shear

Page	21	of	25
Date	March 2014		
Product type	DRS-30-A		
Fitting kit JIC (optional)	Number	406247-00	



4	503665	Blanking cap	2
3	503662	Blanking cap	2
2	503654	Male stud coupling	2
1	503650	Male stud coupling	2
POS	PARTNUMBER	PARTNAME	QT

Rotatable Shear	Page	22	of	25
	Date	March 2014		
	Product type	DRS-30-A		
Toolbox	Number	508136-02		



**Content of toolbox,
completed with shims, partsbook and manual of the shear**

				25	257013302	Kantseal 15,54 x 2,51	2
				24	121060762	Locknut M10 SEAL LOCK	2
				16	504009	O-ring 44,04x 3,53	3
				17	504017	O-ring 36,09x 3,53	2
				18	504048	O-ring 25,3 x 2,4	3
45	251065237	Back-up ring 50,0x 44,6x1,4	2	19	504047	O-ring 20,3 x 2,4	3
44	504026	Back-up ring 44,5x42,5x2,9	2	20	504046	O-ring 16,3 x 2,4	3
43	290058186	Blanking end M33x2 OR	1	21	504070	O-ring 12,37x 2,62	3
42	290058185	Blanking end M27x2 OR	1	22	504045	O-ring 12,0 x 2,0	3
41	290058184	Blanking end M22x1,5 OR	1	23	504043	O-ring 6,0 x 1,5	3
40	290066544	Blanking end M10x1,0 OR	1	15	504041	Seal 1-1/4" 38,8x45,8x2	2
39	500654	Blanking end 1" -WD	1	14	504040	Seal 1" 29,7x35,7x2	2
38	500653	Blanking end 3/4"-WD	1	13	504039	Seal 3/4" 23,9x29,2x1,5	2
37	500652	Blanking end 1/2"-WD	1	12	504036	Seal 1/4" 11,6x16,5x1,5	2
36	500651	Blanking end 3/8"-WD	1	11	504038	Seal 1/2" 18,5x23,9x1,5	2
35	500650	Blanking end 1/4"-WD	1	10	504097	Seal Flange 1-1/2"	3
34	500649	Blanking end 1/8"-WD	1	9	500603	Seal Flange 1-1/4"	3
33	502562	Bleedingscrew M10 L=58,5	2	8	500601	Seal Flange 1"	3
32	120075770	Blanking screw M8x1,0	4	7	500600	Seal Flange 3/4"	3
31	502000	Filter line built-in	2	6	189069365	Sticker "Free to tank"	2
30	506046	Glue Loctite 2701 5ml	1	5	508152	Sticker "Maintenance"	4
29	195050158	Glue TT62 pump gel	1	4	508113	Sticker "Safety"	4
28	508139	Grease cartridge	1	3	503638	Testpoint 7/16"UNF	2
27	508138	Grease pistol	1	2	500740	Testpoint G1/4"	2
26	500560	Grease-nipple, straight M10x1	10	1	508137	Toolbox 580x290x300	1
				POS	PARTNUMBER	PARTNAME	QT

Rotatable Shear	Page	23	of	25
	Date	March 2014		
	Product type	DRS-30-A		
Dealer kit	Number	406253-00		

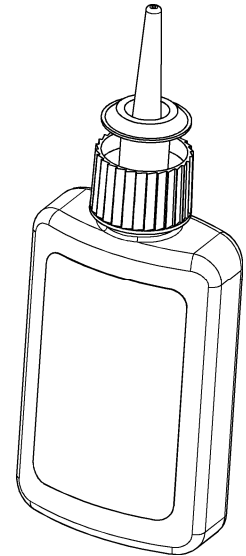
Recommend spare parts for dealers

15			
14			
13			
12			
11			
10	508136	Toolbox	1
9	504086	Sealset swivel	1
8	502963	Seal set speed valve	1
7	502962	Speed valve	1
6	502935	Protection cap cylinder	1
5	502910	Valve - motor	1
4	501256	Seal + bolt set cylinder	1
3	405275	Piercingblade set	1
2	404953	Cuttingblade set	1
1	404727	Hydraulic motor GP	2
POS	PARTNUMBER	PARTNAME	QT

Rotatable Shear	Page	24	of	25
	Date	March 2014		
	Product type	DRS-30-A		
Additional parts	Number	n.a.		

Chemical lock

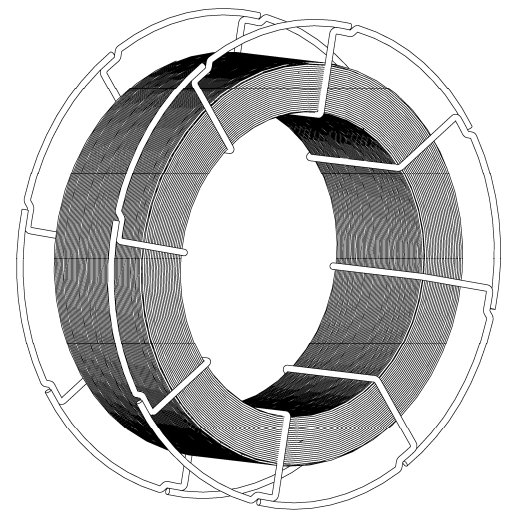
195050158	Cyberbond TT62 Pumpgel	1
506018	Loctite 480 Flacon 20 gr	1
506017	Loctite 638 Flacon 50 ml	1
506016	Loctite 270 Flacon 50 ml	1
PARTNUMBER	PARTNAME	QT



MAG welding wire

- for hard facing cutting blades
- 48-52 HRc
- Standards;
 - AWS A 5.21: no standard
 - EN ISO 14700: ~S Fe14
 - DIN: W.Nr. 1.8425
 - DIN 8555: MSG 2-GZ-500

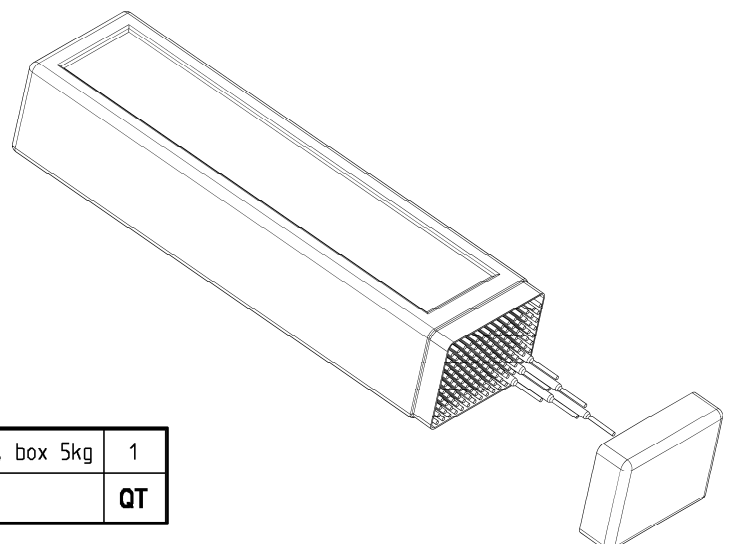
501237	Welding wire MAG; 1.8425, coil 15kg	1
PARTNUMBER	PARTNAME	QT



Welding electrodes

- for hard facing cutting blades
- 48-52 HRc
- Standards;
 - AWS A 5.21: no standard
 - EN ISO 14700: ~S Fe14
 - DIN: W.Nr. 1.8425
 - DIN 8555: MSG 2-GZ-500

501238	Weld. electr.:1.8425, Ø 2.5mm, box 5kg	1
PARTNUMBER	PARTNAME	QT



Rotatable Shear	Page	25	of	25
	Date	March 2014		
	Product type	DRS-30-A		
Instructions	Number	n.a.		

Mounting instructions for Cyberbound TT 62

This instruction shall guarantee that all hydraulic fittings and cartridges will be mounted and glued in correctly.

Procedure:

Clean and degrease thoroughly all components with a special cleaner for anaerobic adhesives (e.g. Loctite cleaner 7063) or acetone.

Apply on the outside thread only a bead of Cyberbond TT62 pump gel to approx. 2/3 of the girth of the second thread for fittings up to a diameter of 20mm or to the entire girth for fittings with a diameter larger than 20mm.



Cyberbound
TT 62



Clean from adhesive residues pressed out from the bore hole after fitting.

ATTENTION. The sealings shall be free of adhesive residues!

Tighten fittings with given fastening torques.

Standard torque values for bolts (when not indicated)

Thread size	Torque (Nm) for quality		
	8.8	10.9	12.9
M8	22,5	32,4	38,7
M10	45,0	63,0	75,6
M12	77,4	109,0	131,0
M16	194,0	270,0	324,0
M20	369,0	522,0	630,0
M24	639,0	900,0	1080,0
M27	945,0	1305,0	1575,0
M30	1260,0	1800,0	2160,0



DEMAREC AND KINSHOFER WORLDWIDE

Netherlands:

Demarec

Demolition and Recycling Equipment BV

Den Hoek 10

5845 EL St. Anthonis

Netherlands

TEL. +31 (0) 485 442300

FAX +31 (0) 485 442120

Email:

info@demarec.com

United Kingdom:

Kinshofer UK Ltd.

4 Milton Industrial Court,

Horsfield Way, Bredbury

Stockport, Cheshire, SK6 2TA

United Kingdom

TEL. +44 (0) 161 - 406 7046

FAX +44 (0) 161 - 406 7014

Email:

sales@kinshofer.co.uk

France:

Kinshofer France S.A.R.L.

B.P. 20100

67213 Obernai Cedex

France

TEL. +33 (0) 388 39 55 00

FAX +33 (0) 388 79 06 75

Email:

info@kinshofer.fr

Czech Republic:

Kinshofer CZ s.r.o.

Cs. Legji 568

37810 Ceske Velenice

Czech Republic

TEL. +420 384 – 795 110

FAX +420 384 – 795 120

Headquarters:

Germany:

Kinshofer GmbH

Hauptstrasse 76

83666 Waakirchen

Germany

TEL. +49 (0) 8021 – 88 99 0

FAX +49 (0) 8021 – 88 99 37

Email:

info@kinshofer.com

North America:

Kinshofer North America

5040 Mainway Drive, Unit 11

Burlington, ON L7L 7G5

Canada

TEL. +1 (905) 335 2856

FAX +1 (905) 335 4529

Toll Free in Canada and USA:

TEL. 1-800-268-9525

Email:

sales-northamerica@kinshofer.com

Finland:

Kinshofer Aponox Oy

Terminaalitie 10

13430 Hämeenlinna

Finland

TEL. +358 (0)75 7540 200

FAX +358 (0)75 7540 210

Beijing:

Darda Kinshofer

Construction Machinery Co. Ltd.

Unit #306, Landmark Tower 2

8 Dongsanhuan Road

Beijing 100004

China

TEL. +86 (10) 6590 6422

FAX +86 (10) 6590 6423

Email:

info@darda.com.cn